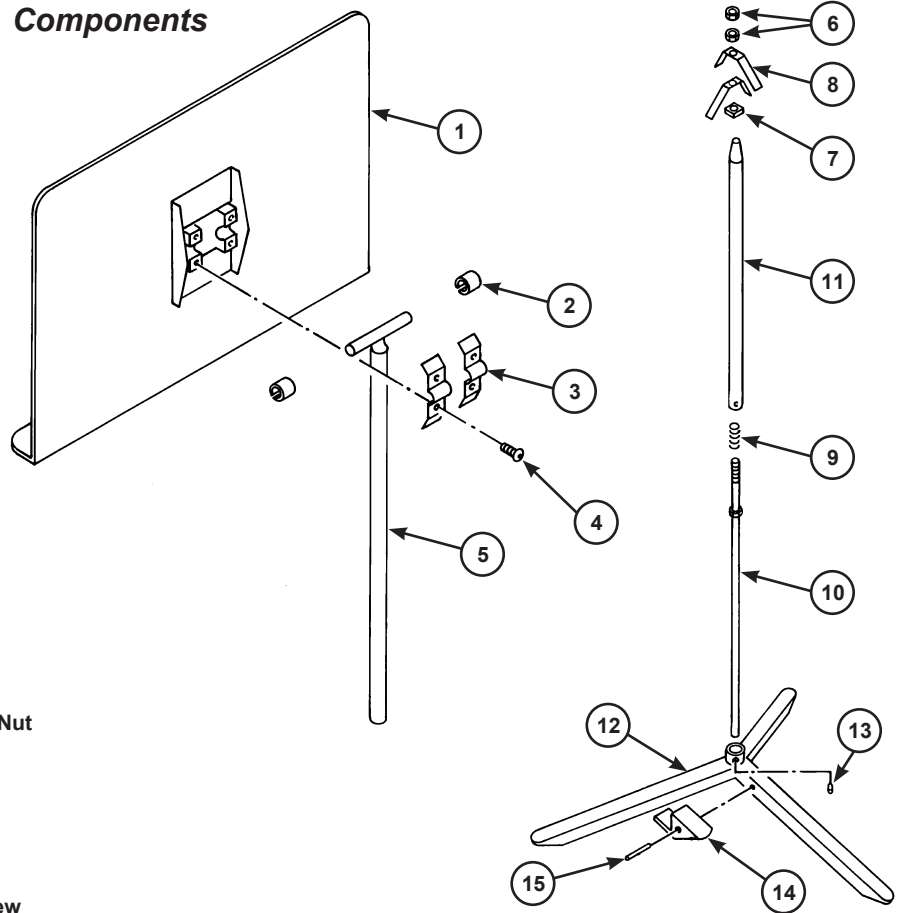


Replacement Parts

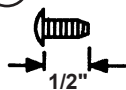
Item	Qty	Description
1	1	Desk Assembly
2	2	Friction Pivot
3	2	Pivot Bracket
4	4	1/4-20 x 1/2" Phillips Head Screw
5	1	T-tube
6	2	1/4-20 Hex Nut
7	1	1/4-20 Square Nut
8	2	Inner Slide Gripper
9	1	Spring
10	1	Rod, Center
11	1	Tube, Inner
12	1	Base
13	1	5-16 x 1/4" Set Screw
14	1	Foot Pedal
15	1	3/16" Spring Pin

Components



Fasteners

4 Screw



7 Square Nut



6 Hex Nut



13 Set Screw



Contents

Replacement Parts	1	Required Tools.	2
Important User Information	2	Assembly	3
Safety Precautions	2	Cleaning	4



Visit the Director's Music Stand web page at wengercorp.com for more information.

Note: Please read and understand these instructions before proceeding.
Note: If you need additional information, contact Wenger Corporation using the information below.

Important User Information

General

Copyright © 2024 by Wenger Corporation

All rights reserved. No part of the contents of this manual may be reproduced, copied, or transmitted in any form or by any means including graphic, electronic, or mechanical methods or photocopying, recording, or information storage and retrieval systems without the written permission of the publisher, unless it is for the purchaser's personal use.

Printed and bound in the United States of America.

The information in this manual is subject to change without notice and does not represent a commitment on the part of Wenger Corporation. Wenger Corporation does not assume any responsibility for any errors that may appear in these instructions.

In no event will Wenger Corporation be liable for technical or editorial omissions made herein, nor for direct, indirect, special, incidental, or consequential damages resulting from the use or defect of these instructions. The manufacturer reserves the right to change this product at any time.

The information in this document is not intended to cover all possible conditions and situations that might occur. The end user must exercise caution and common sense when assembling or installing Wenger Corporation products. If any questions or problems arise, call the Wenger Corporation at (800) 4WENGER (493-6437) or +1-507-455-4100 worldwide.

Manufacturer

The Director's Music Stand is manufactured by:

Wenger Corporation
555 Park Drive
Owatonna, MN 55060
(800) 4WENGER (493-6437) • +1 (507) 455-4100
wengercorp.com

Intended Use

- This product is intended for indoor use in normal ambient temperature and humidity conditions – it must not be exposed to prolonged outside weather conditions.
- This product is intended to be assembled and used only as described in these instructions.

Warranty

Warranty information is available at wengercorp.com.

Safety Precautions

Throughout this document you may find cautions and warnings which are defined as follows:

- **WARNING:** Failure to follow the instruction could result in serious injury or damage to property.
- **CAUTION:** Failure to follow the instruction could result in minor injury or damage to property.

Read all of these safety instructions before assembly, installation or use.

CAUTION

Make sure anyone assembling, installing or using this product has read and understands these instructions.

CAUTION

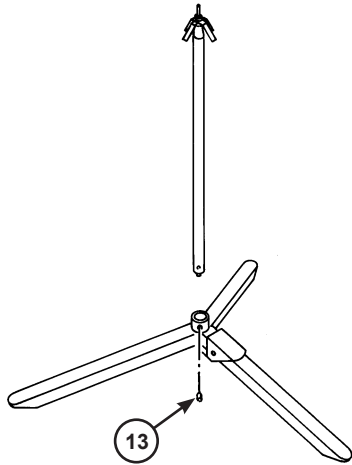
Failure to comply with Warnings and Cautions in this document or on the equipment can result in damage to property or injury.

Required Tools

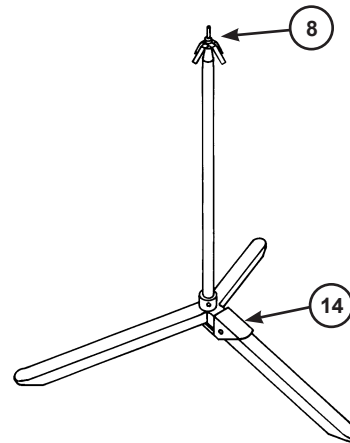
The following tools are required for assembly.

- 5/32" Hex wrench
- Two 7/16" open-end wrenches
- 9/16" Open-end wrench
- Phillips screwdriver

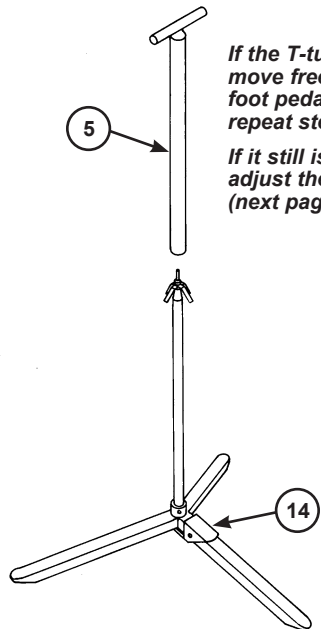
Assembly



1. Loosen the set screw (13) in the base (12).
2. Insert the inner tube assembly (6-11) into the base and push down until the pedal pushes all the way up and the tube hits the bottom of the base.
Turn the tube clockwise until it stops and is tight in the base.
3. With the hex wrench, tighten the set screw.



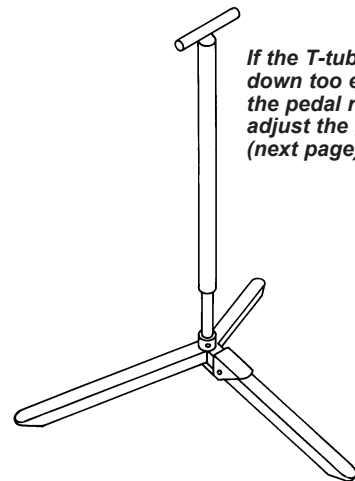
4. Operate the foot pedal (14).
The grippers (8) should move up and down 1/2".
If not, verify that the inner tube assembly is all the way down and locked into the base.



If the T-tube doesn't move freely with the foot pedal fully down, repeat steps 1-3.

If it still isn't free, adjust the grippers (next page).

5. Fully depress the foot pedal (14) and slide the T-tube (5) over the inner tube.
With the pedal fully down, the T-tube should move up and down freely.

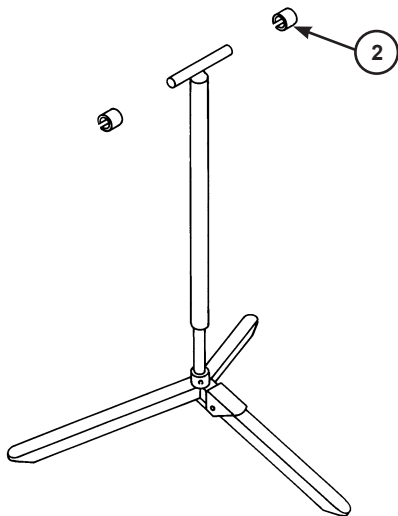
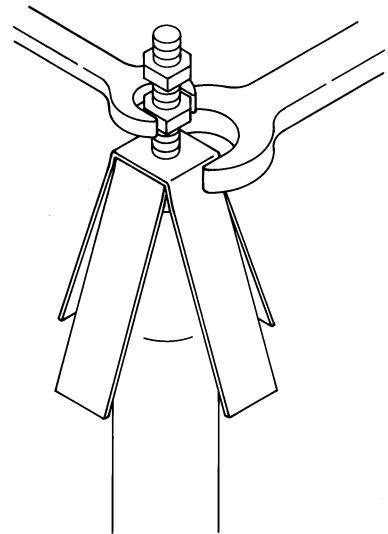


If the T-tube slides down too easily with the pedal released, adjust the grippers (next page).

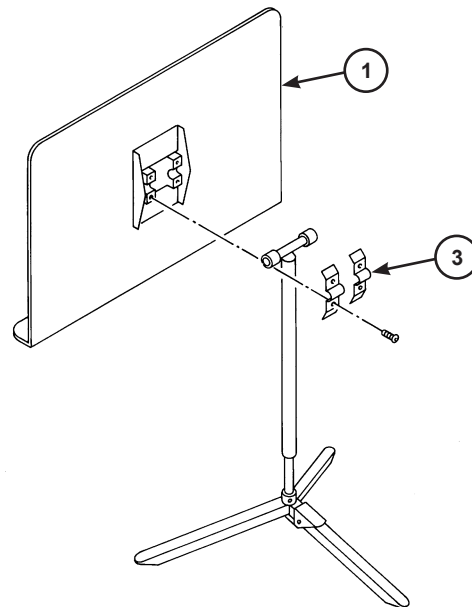
6. Release the pedal and the T-tube should be held in place by friction (the T-tube should support at least 20 lb of force).

Assembly (continued)

7. If the unit fails after step 5 or 6, adjust the grippers:
 - a. Lift the T-tube off the inner tube.
 - b. Loosen the top two hex nuts a few turns.
 - c. Turn the grippers one turn up for easier release, or one turn down if the T-tube moves too freely.
Don't allow the center rod to turn while adjusting.
 - d. Hold the grippers, and tighten the lower hex nut against them.
 - e. Hold the lower hex nut, and tighten the upper hex nut against it.
 - f. Reinstall and recheck the T-tube (steps 2 to 4).



8. Slide the friction pivots (2) over the T-tube.



9. Attach the desk assembly (1) to the T-tube, using the pivot brackets (3) and screws (4). To adjust the desk tension, tighten or loosen the four screws which hold the brackets.

Cleaning

To clean the desk:

1. Wash with cold water and mild soap.
2. To prevent water spots, dry thoroughly with a chamois or moist cellulose sponge.

Never use an abrasive or highly alkaline cleaner on the desk.